

Hess Group, 57299 Burbach-Wahlbach, Germany

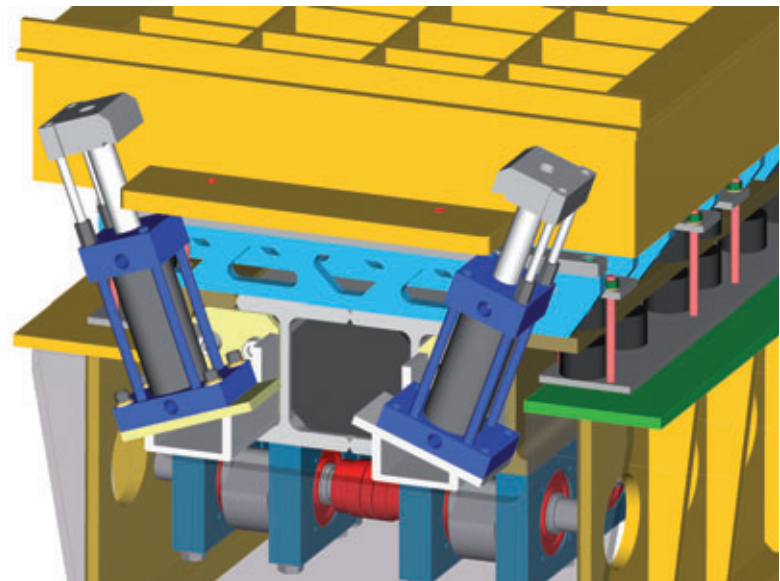
Takeover of patent for concrete block making machine with harmonic vibration by mould excitation

On 25 May 2012 Hess Maschinenfabrik GmbH & Co. KG signed a contract with the IFF - Institut für Fertigteilechnik und Fertigbau Weimar e.V. to take over patent number DE 10 2008 011 272 'Concrete block making machine with harmonic vibration by means of mould excitation'. Hess is thus the sole owner of the rights to this production method.

Harmonic vibration is a vibration excitation system in which the mould is firmly clamped to the table. This vibration method is used in particular for the production of high or large-format products.

Unlike shock vibration the vibration compaction takes place without back stops, solely by means of pure harmonic excitation. The board and mould no longer lift off. As with the proven Hess shock vibration with VarioTronic, the machine setting is insensitive and thus easily reproducible. A particular benefit of the use of harmonic vibration is that noise is reduced. Depending on the product and measurement location, noise emissions can be reduced by up to 10 dB.

The concrete block making machines with the worldwide proven shock vibration from Hess will continue to form the core of the product range. Hess uses the harmonic vibration only for special applications.



Since the end of May 2012 Hess Maschinenfabrik is the sole owner of the rights to the patent DE 10 2008 011 272 'Concrete block making machine with harmonic vibration by means of mould excitation'

The Hess Group, an internationally operative mechanical engineering company, has thus extended its range of conventional static board machines. Beside concrete block and pipe making machines, concrete mixing plants and corresponding moulds, Hess also supplies machines and plants for the manufacture of porous concrete and lime sandstone.

MANN FORMEN

Flower Tubs · Balustrades · Fountains
Benches · Urns · Retaining walls



Moulds made to measure for kerbstones, bollards, spheres, master models for paving blocks



MANN Modell & Formenbau
Albiger Straße 53 - 55 · 55232 Alzey, Germany
T +49 6731 7087 · F +49 6731 6542
office@mann-formen.de

FURTHER INFORMATION



Hess Group
Freier-Grund-Straße 123
57299 Burbach-Wahlbach, Germany
T +49 2736 49760
F +49 2736 497620
info@hessgroup.com
www.hessgroup.com